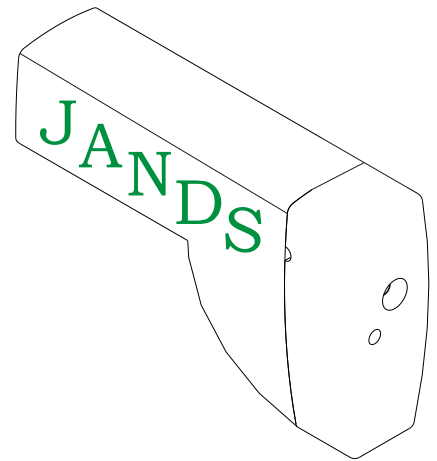


Installation Instructions

JANOME 1600P



1. Remove the screw on the end panel.
2. Attach handle with screw provided.
3. Lift the carry handle on top of the machine and pass the control wire through the carry handle. Plug the control wire into the foot pedal jack. Machine is now ready for quilting. The knob on the grip will set the speed, and the trigger will start and stop the machine.
4. If you have to transport your machine, please remove the **JANDS** handle attachment and reinstall original screw.

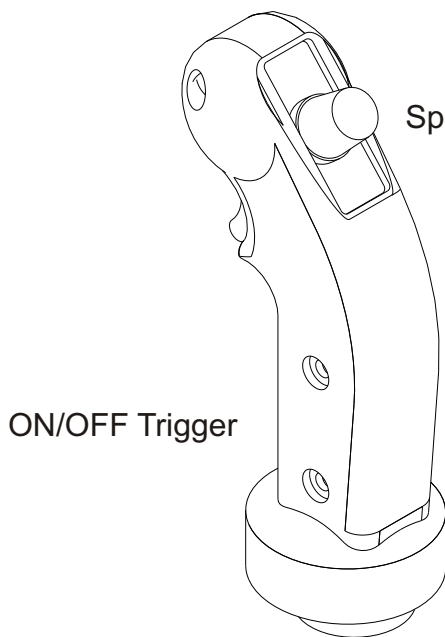


Fig. 1 **JANDS** Assy.

Speed Control Knob

ON/OFF Trigger

3 Prong Plug

Handle does pivot on bracket. Do not try to tighten.

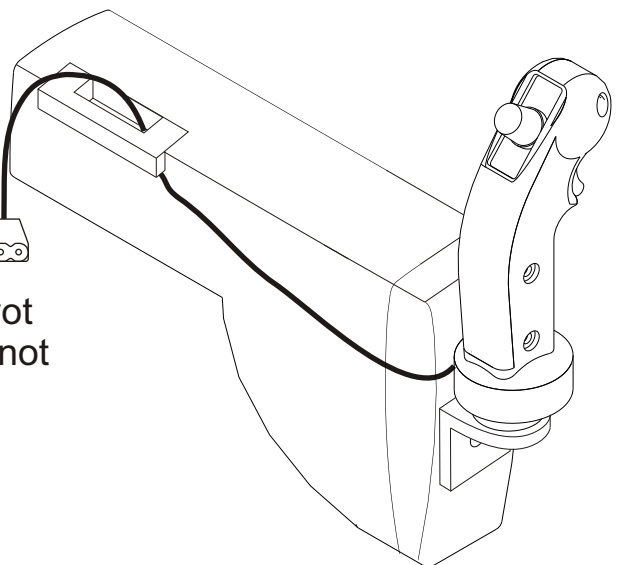


Fig. 2 Installed **JANDS** Assy.

TROUBLESHOOTING: If pressing the trigger does not run the machine, please ensure that the plug is connected properly and the knob is NOT tuned fully to one end or the other.

Thank you for purchasing this quality Canadian made product. The **JANDS** handle comes with a limited 1 year warranty from date of purchase.