

Welcome to JANDS Handles!

We would like to introduce JANDS Handles. We manufacture and distribute the JANDS brand of add-on control grips for most popular brands of sewing machines used by the hobbyist level quilter. Adding a JANDS grip to a quilting machine makes it much easier to move the machine quickly and precisely, and the convenient speed control knob and trigger make adjusting the machine speed a breeze. We offer handles to fit various machines as shown below, and check out the dealers section to find your nearest distributor. If we don't offer a version to fit your machine, feel free to contact us and suggest we add your brand of machine to our list.

The JANDS Handle was designed, developed, and is manufactured in Kamloops, British Columbia. It is a great invention for someone who wants to work on the needle side of their machine. What is unique about this handle is that it is attached to the machine not the frame. There is no wobble as it is positioned over the needle so that it feels more like you are drawing. We now have the JANDS Handle developed for the Brother PQ1500S, Babylock Quilters Choice, Janome 6500P, Janome 6600P, Janome 1600P and the Juki TL98Q.

Products

We currently offer 4 different products that fit the vast majority of machines used by the hobby level quilter. If you have a different machine and are interested in a JANDS handle, please send us an email. We are always looking for feedback on the best ways to expand and improve our product line. There are copies of the easy installation instructions for each particular model printed after the photos..



Brother PQ1500S, Babylock Quilter's Choice



Janome 1600P



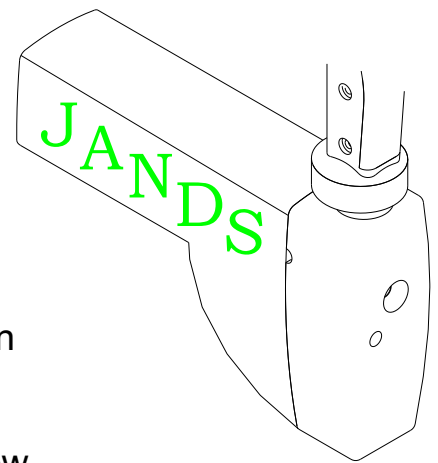
Janome 6500P, Janome 6600P



Juki TL98Q

Installation Instructions

Brother



1. Take off old front cover by removing the single hold down screw. Please use proper Phillips (star) screwdriver.
2. Attach new cover with **JANDS** handle using original screw. Do not overtighten.
3. Lift the carry handle on top of the machine and pass the control wire through the carry handle. Plug the control wire into the foot pedal jack. Machine is now ready for quilting. The knob on the grip will set the speed, and the trigger will start and stop the machine.
4. If you have to transport your machine, please remove the **JANDS** handle attachment and reinstall front cover.

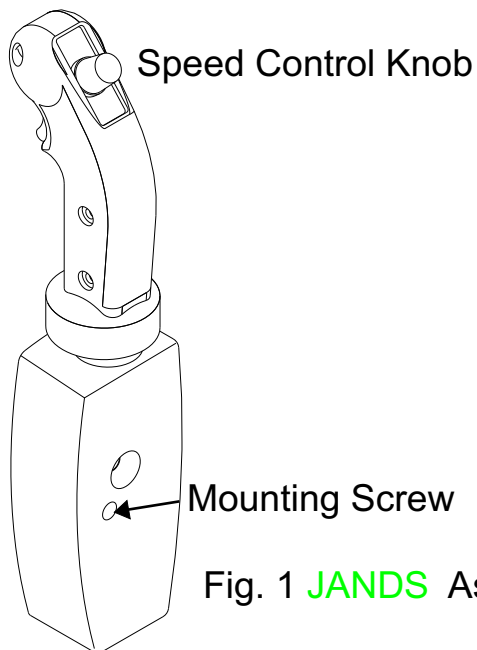
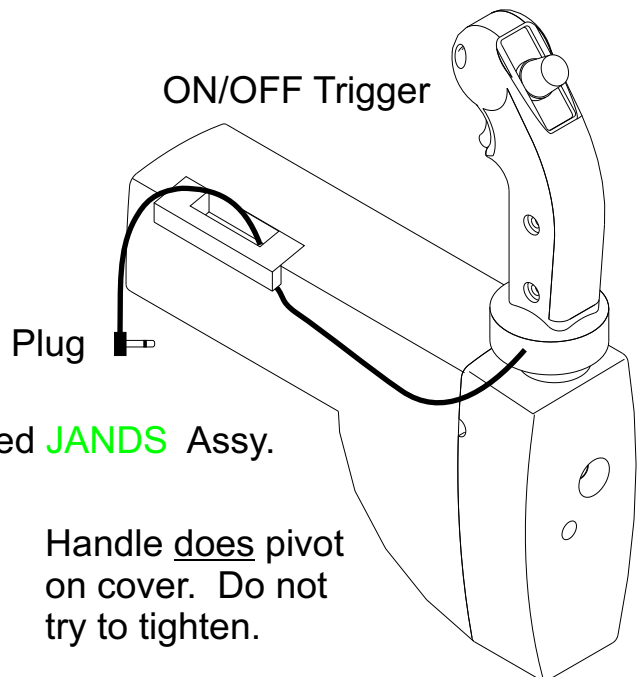


Fig. 2 Installed **JANDS** Assy.

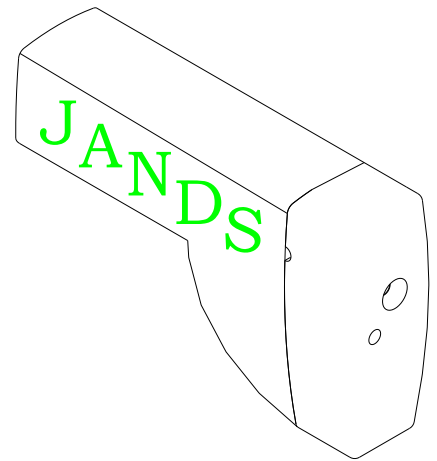


TROUBLESHOOTING: If pressing the trigger does not run the machine, please ensure that the plug is connected properly and the knob is NOT tuned fully to one end or the other.

Thank you for purchasing this quality Canadian made product. The **JANDS** handle comes with a limited 1 year warranty from date of purchase.

Installation Instructions

JANOME 6500/6600



1. Remove the screw on the end panel.
2. Attach handle with screw provided.
3. Lift the carry handle on top of the machine and pass the control wire through the carry handle. Plug the control wire into the foot pedal jack. Machine is now ready for quilting. The knob on the grip will set the speed, and the trigger will start and stop the machine.
4. If you have to transport your machine, please remove the **JANDS** handle attachment and reinstall original screw.

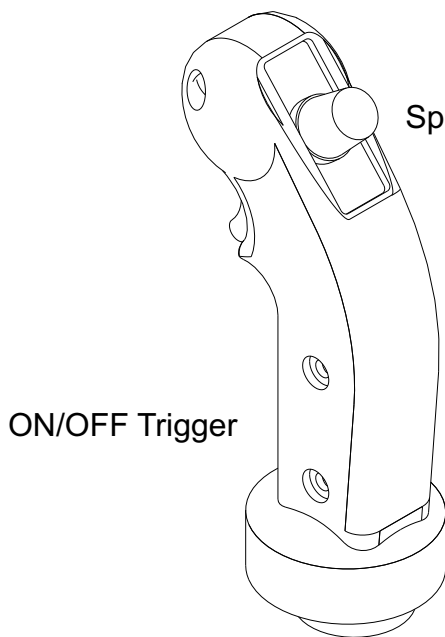


Fig. 1 **JANDS** Assy.

Speed Control Knob

ON/OFF Trigger

Handle does pivot
on bracket. Do not
try to tighten.

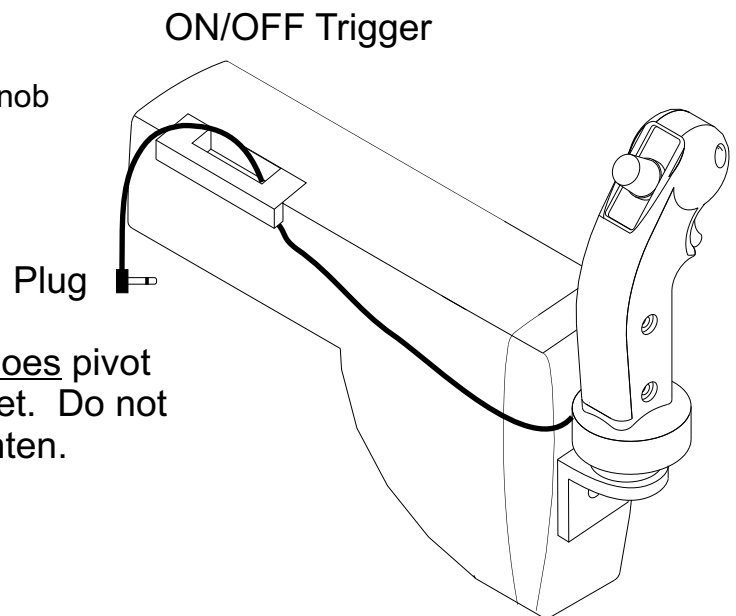


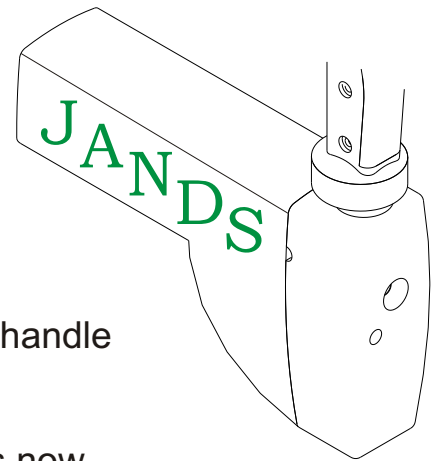
Fig. 2 Installed **JANDS** Assy.

TROUBLESHOOTING: If pressing the trigger does not run the machine, please ensure that the plug is connected properly and the knob is NOT tuned fully to one end or the other.

Thank you for purchasing this quality Canadian made product. The **JANDS** handle comes with a limited 1 year warranty from date of purchase.

Installation Instructions

Juki TL98Q



1. Using the 2 supplied tapping screws, attach the JANDS handle bracket as shown in Fig. 1.
2. Plug the control wire into the foot pedal jack. Machine is now ready for quilting. The knob on the grip will set the speed, and the trigger will start and stop the machine.
3. The two holes that the JANDS handle bracket mounts onto are oil access holes for the sewing machine. The JANDS handle must be periodically removed and the sewing machine oiled according to the owner's manual.
4. If you have to transport your machine, please remove the **JANDS** handle attachment.

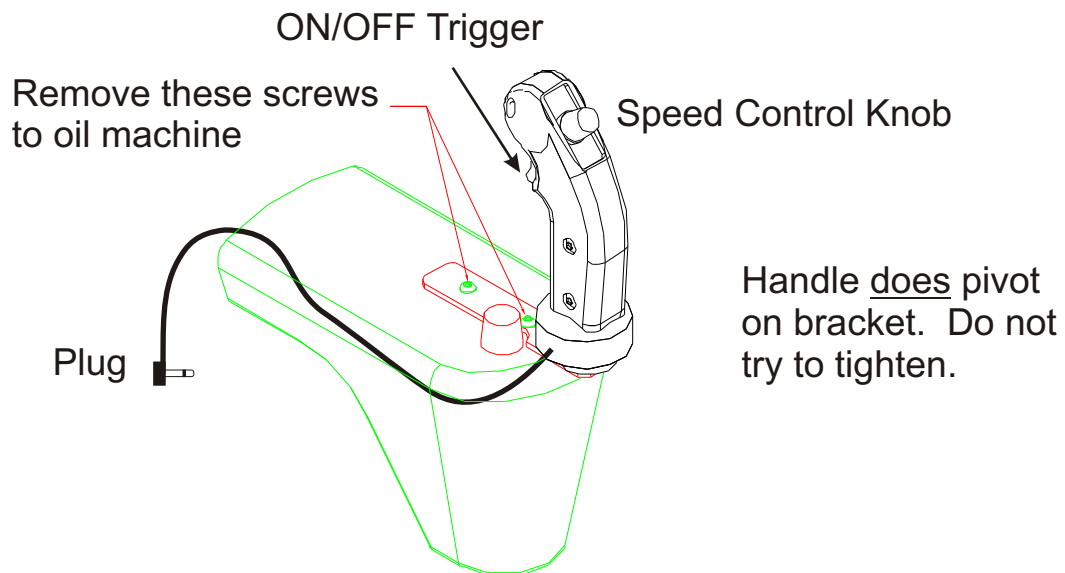


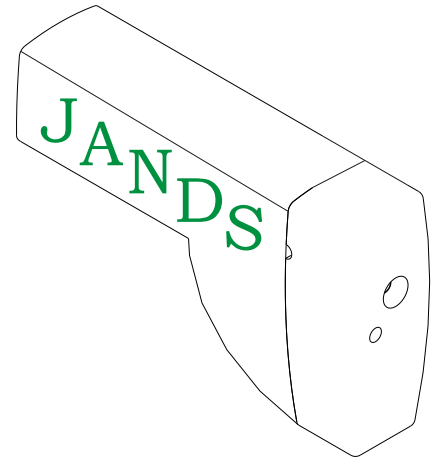
Fig. 1 Installed **JANDS** Assy.

TROUBLESHOOTING: If pressing the trigger does not run the machine, please ensure that the plug is connected properly and the knob is NOT tuned fully to one end or the other.

Thank you for purchasing this quality Canadian made product. The **JANDS** handle comes with a limited 1 year warranty from date of purchase.

Installation Instructions

JANOME 1600P



1. Remove the screw on the end panel.
2. Attach handle with screw provided.
3. Lift the carry handle on top of the machine and pass the control wire through the carry handle. Plug the control wire into the foot pedal jack. Machine is now ready for quilting. The knob on the grip will set the speed, and the trigger will start and stop the machine.
4. If you have to transport your machine, please remove the **JANDS** handle attachment and reinstall original screw.

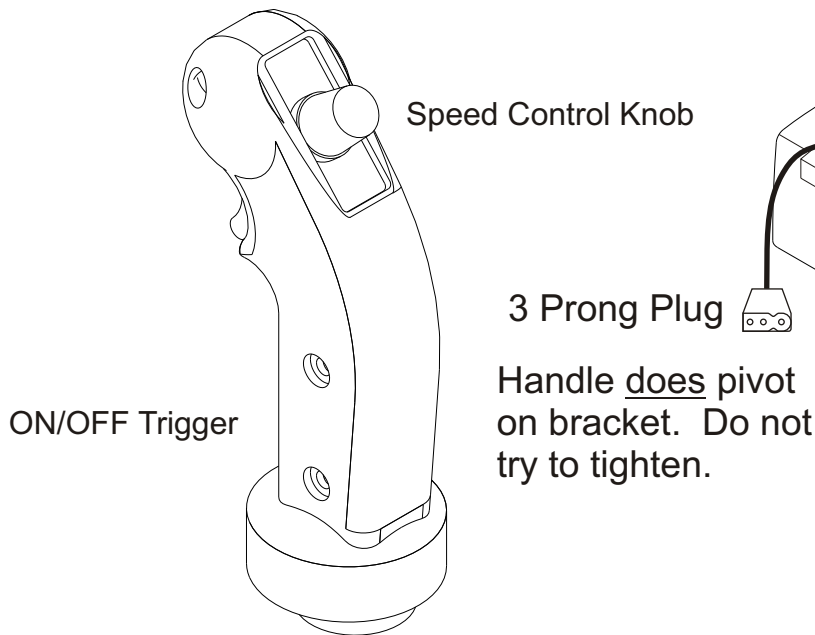


Fig. 1 **JANDS** Assy.

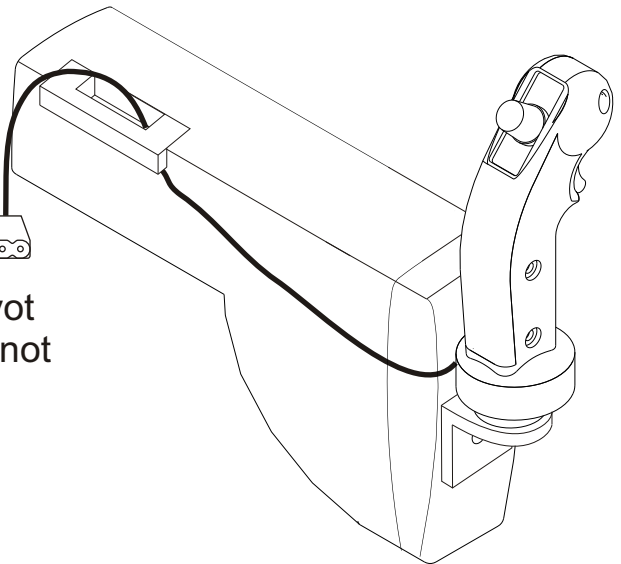


Fig. 2 Installed **JANDS** Assy.

TROUBLESHOOTING: If pressing the trigger does not run the machine, please ensure that the plug is connected properly and the knob is NOT tuned fully to one end or the other.

Thank you for purchasing this quality Canadian made product. The **JANDS** handle comes with a limited 1 year warranty from date of purchase.

About JANDS

A husband wanted to please his wife and make her life a little easier so he invents the perfect tool to do just that... Have you ever really wanted something but found it just wasn't available? John Kukkola wanted to buy a special kind of handle for a sewing machine to make quilting easier for his wife. When Patti at a local sewing machine store said that what he wanted just wasn't available, and that maybe he should invent this special handle, that is just what John did. Patti said, "When I told John he would have to invent something I didn't think he took me seriously. When he came in my store a few months later with this amazing quilting handle I was very impressed. We took the JANDS Handle up to the Sunpeaks Quilting in the Mountains Show, and the JANDS Handle was a big hit. Quilters are always trying to find ways to make the quilting of the quilts simpler." "I called the new quilting handle the JANDS Handle naming it after myself and my wife, Shirley, J AND S." John says, "I'm proud to say that with the help of Scorpion Technologies we will be manufacturing my new handle right here in Kamloops BC. The handle works on a few different brands of sewing machines right now and we are still working to adapt it to even more sewing machines in the near future. "



Dealer inquiries are welcome. Email dealers@jandshandles.com
For sales information please email sales@jandshandles.com

